

SG1



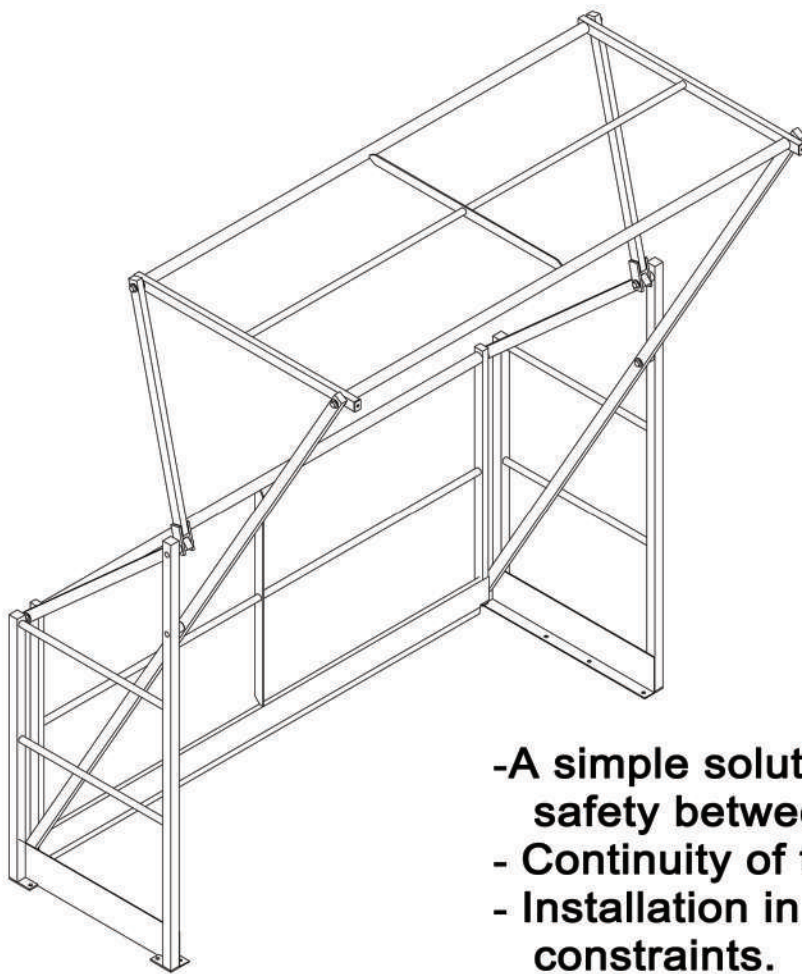
For what kind of work situation?

- Layouts with no particular constraints.
- Mezzanines with sufficient clearance, free height and depth.



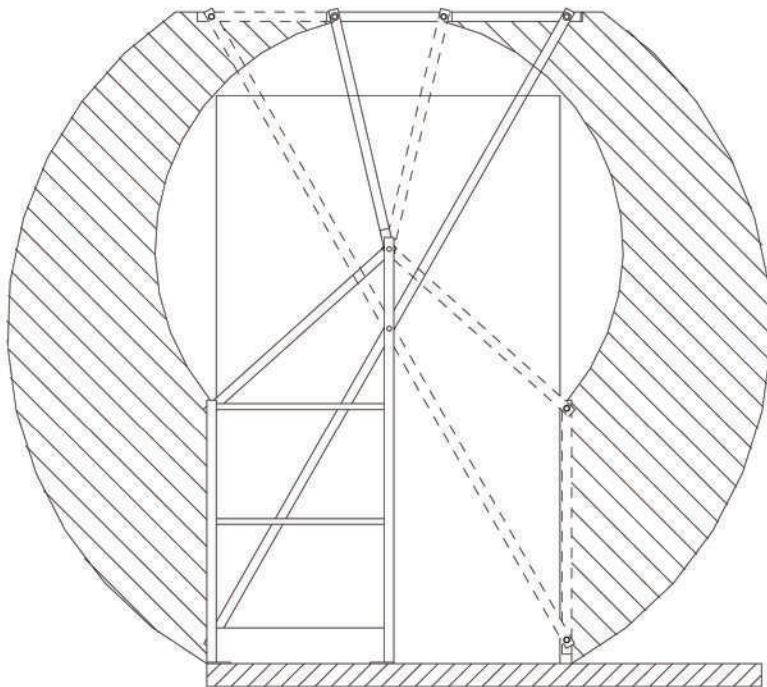
Z.A. la Métairie - Rue du Val d'Ardoux - F-45370 DRY
www.ac2m-sarl.fr +33 (0)2 38 59 97 99 ac2m@ac2m-sarl.fr

AC2M



SG1

- A simple solution for guaranteeing safety between different levels.
- Continuity of the guardrail.
- Installation in areas with no particular constraints.
- Suitable for high loads.
- Standard or made-to-measur dimensions.
- Various finishes available.
- TÜV SÜD and APAVE certification.



Z.A. la Métairie - Rue du Val d'Ardoux - F-45370 DRY
www.ac2m-sarl.fr +33 (0)2 38 59 97 99 ac2m@ac2m-sarl.fr

AC2M