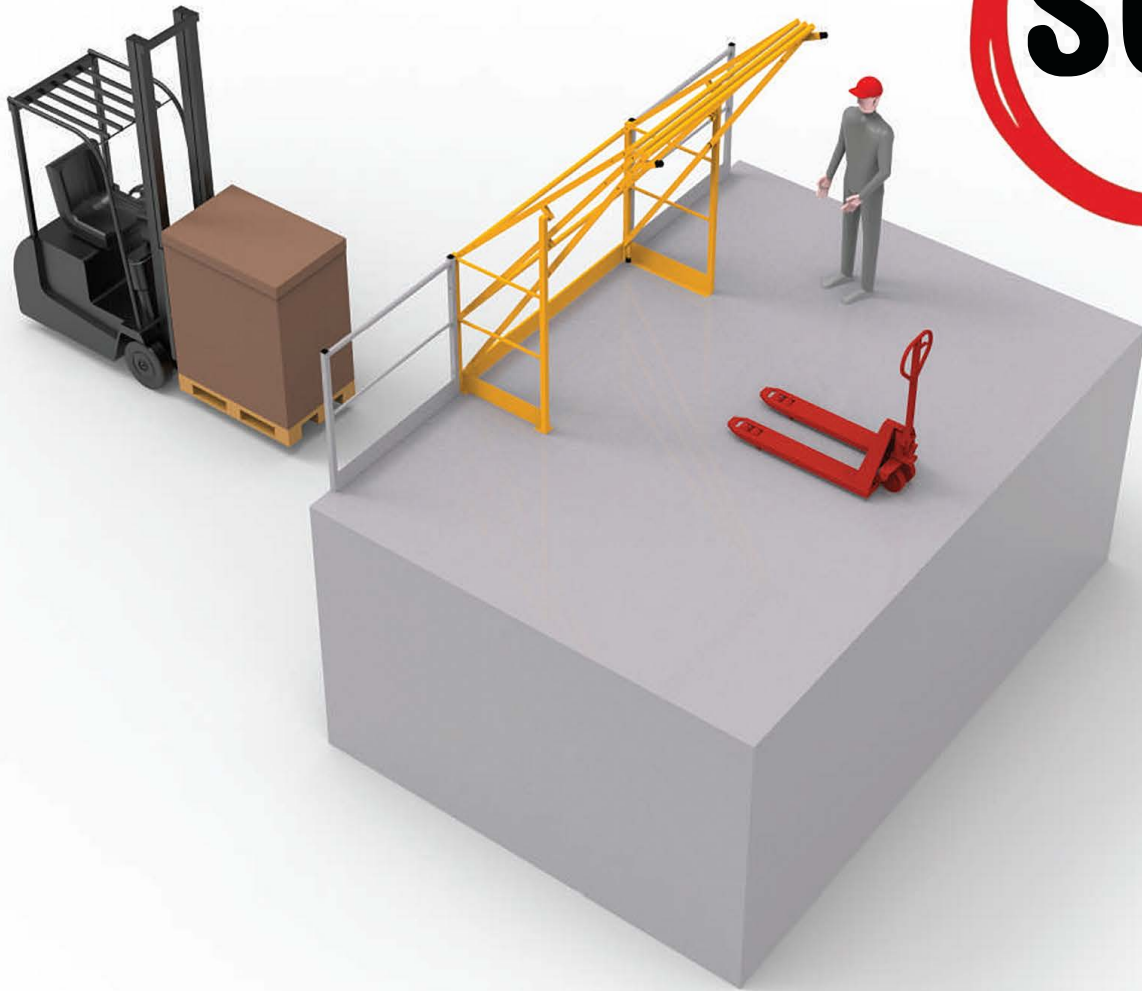


# SG5



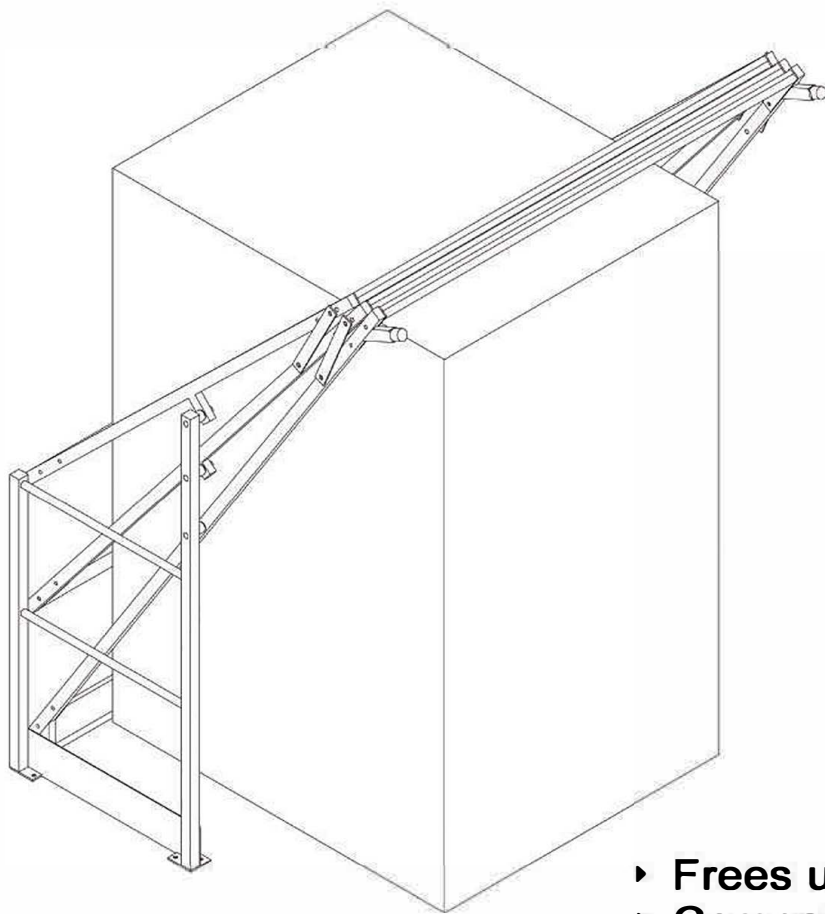
## For what kind of work situation?

- ▶ Mezzanines with low ceilings and high loads.
- ▶ Installation behind a sliding door or a curtain.



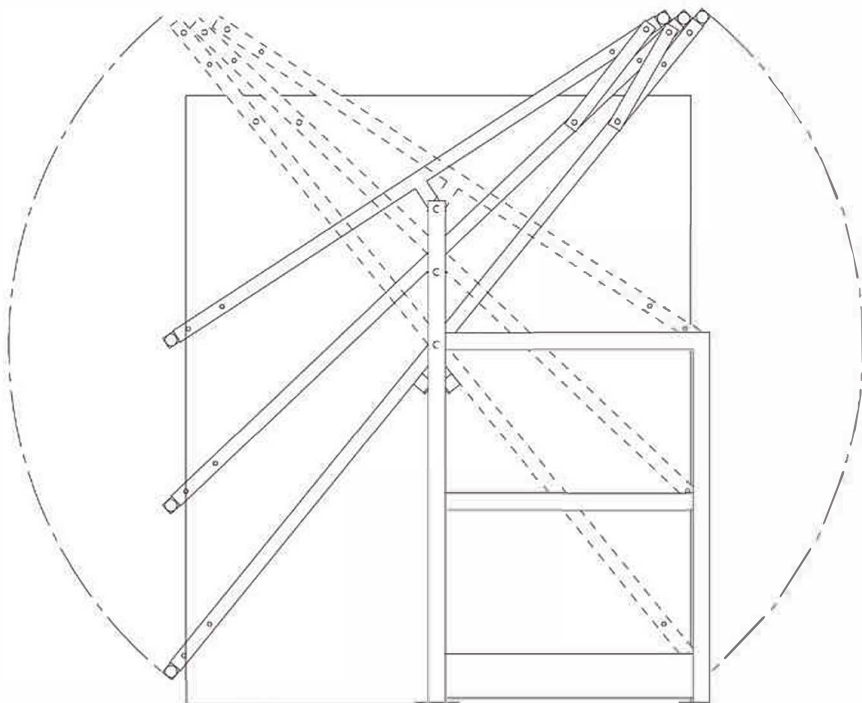
Z.A. la Métairie - Rue du Val d'Ardoux - F-45370 DRY  
www.ac2m-sarl.fr +33 (0)2 38 59 97 99 ac2m@ac2m-sarl.fr

# AC2M



**SG5**

- ▶ Frees up space for pallets.
- ▶ Compatible with sliding doors and metal curtains.
- ▶ Made-to-measure dimensions.
- ▶ Various finishes available.
- ▶ APAVE certification.



Z.A. la Métairie - Rue du Val d'Ardoux - F-45370 DRY  
www.ac2m-sarl.fr +33 (0)2 38 59 97 99 ac2m@ac2m-sarl.fr

**AC2M**