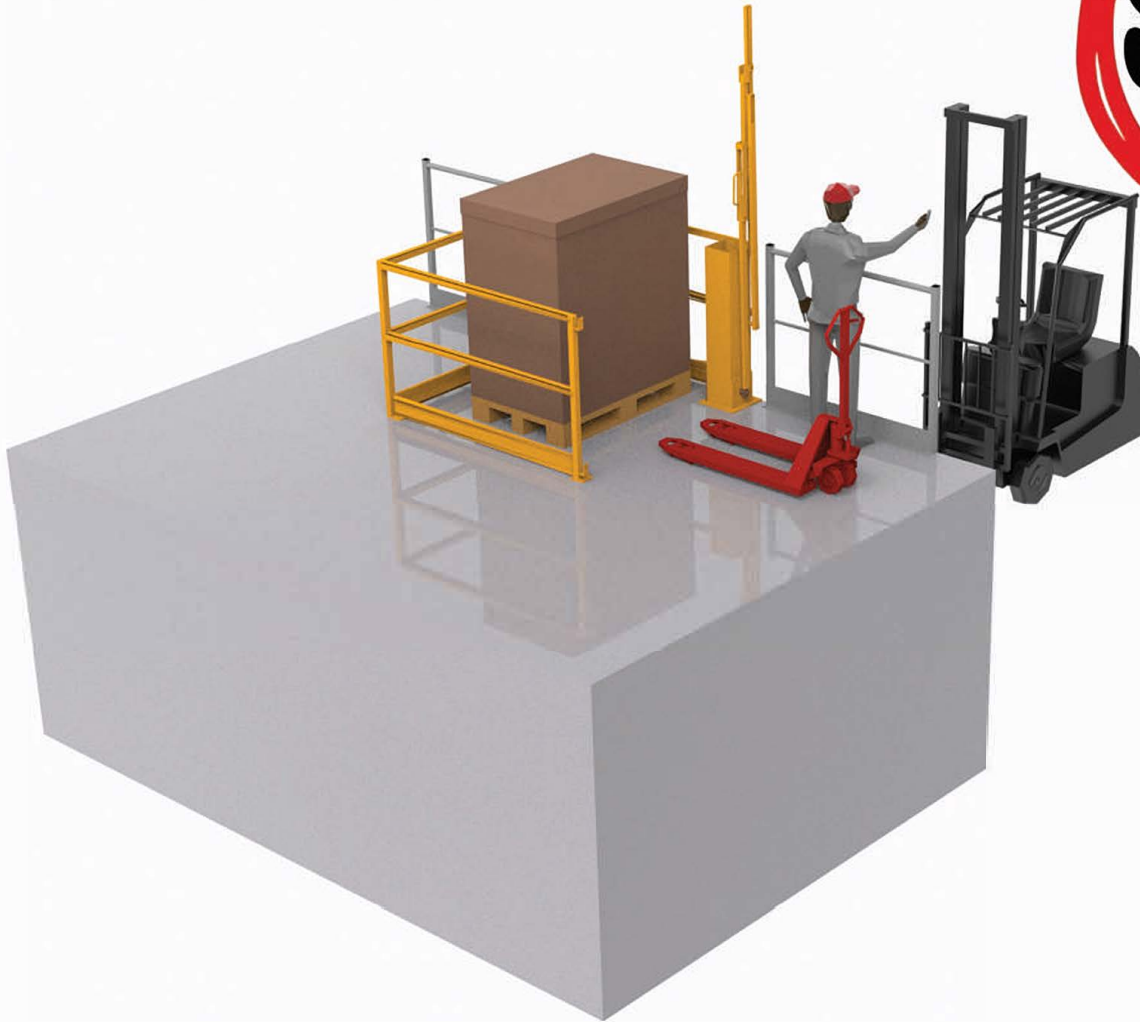


SG3A



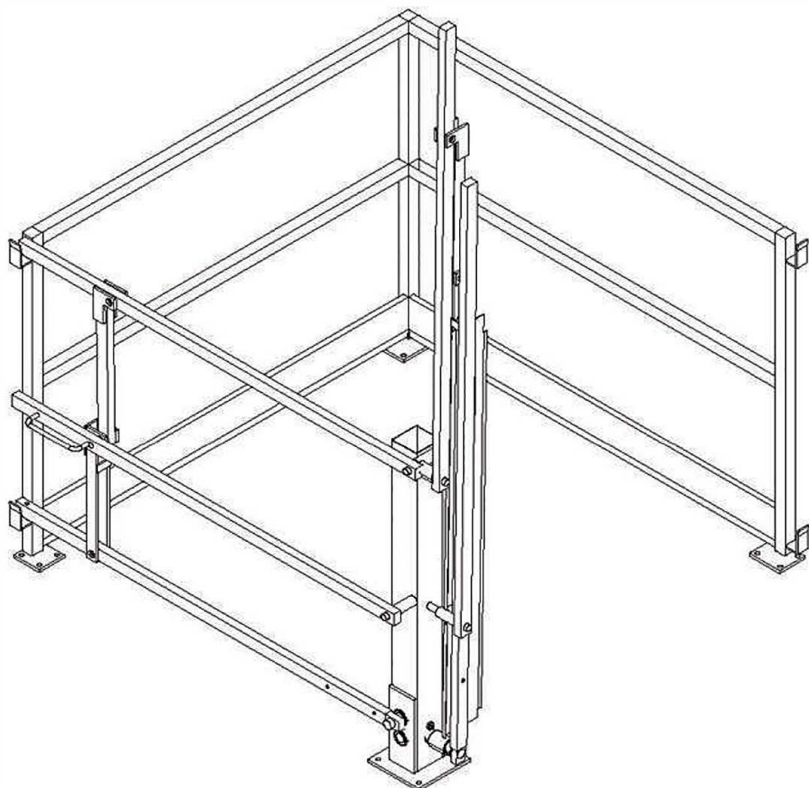
For what kind of work situation?

- ▶ Handling areas with hoist or equivalent.
- ▶ Mezzanines with pallet evacuation from one of the sides.

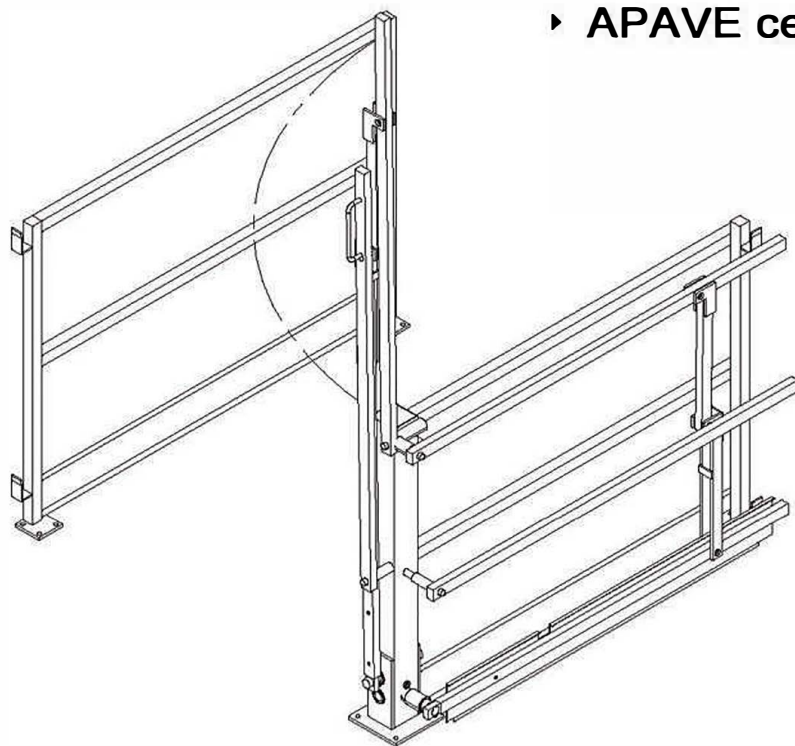


AC2M

SG3A



- ▶ Pallet outlet at 90° laterally.
- ▶ Allows the hoist to be used.
- ▶ Suitable for high loads.
- ▶ Made-to-measure dimensions.
- ▶ Various finishes available.
- ▶ APAVE certification.



Z.A. la Métairie - Rue du Val d'Ardoux - F-45370 DRY
www.ac2m-sarl.fr +33 (0)2 38 59 97 99 ac2m@ac2m-sarl.fr

AC2M