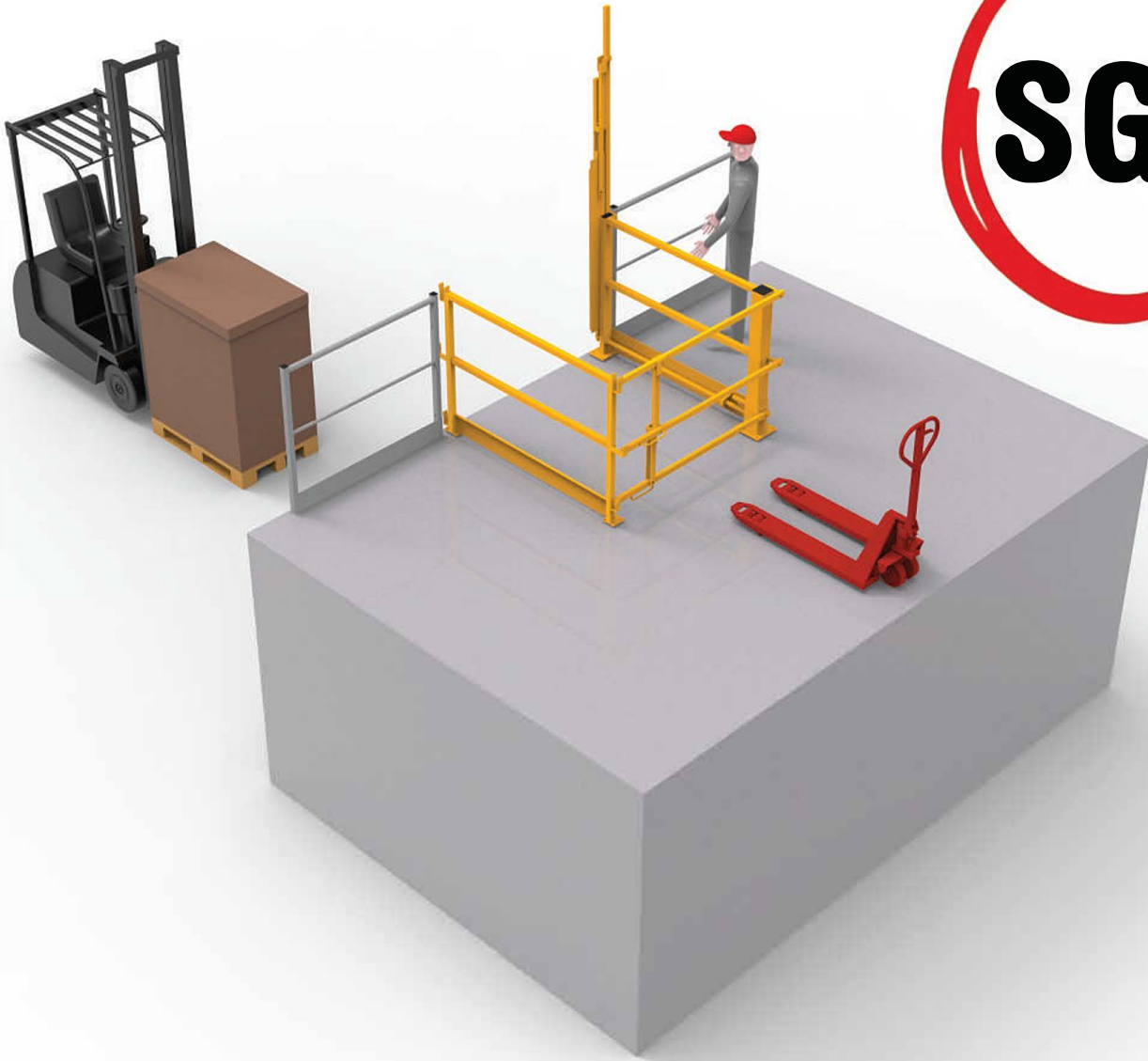


SG3



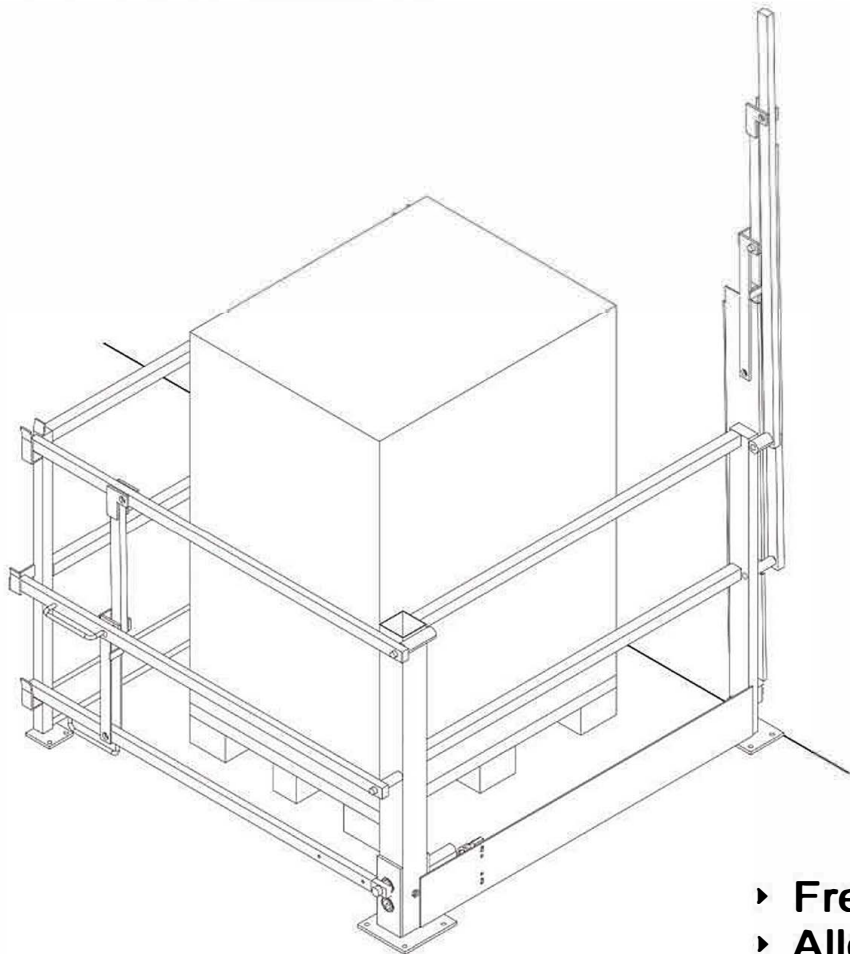
For what kind of work situation?

- Handling areas with hoist or equivalent.
- Mezzanines for high loads.

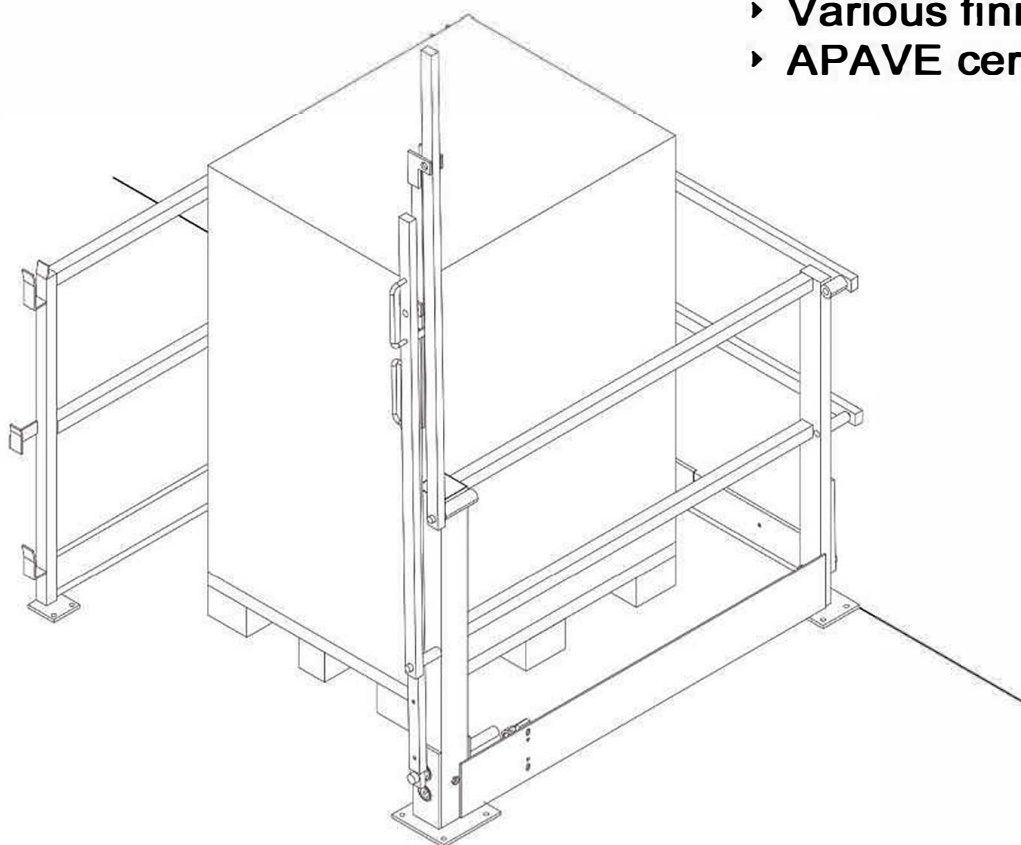


AC2M

SG3



- ▶ Frees up overhead space.
- ▶ Allows a handling by hoist.
- ▶ Suitable for high loads.
- ▶ Made-to-measure dimensions.
- ▶ Various finishes available.
- ▶ APAVE certification.



Z.A. la Métairie - Rue du Val d'Ardoux - F-45370 DRY
www.ac2m-sarl.fr +33 (0)2 38 59 97 99 ac2m@ac2m-sarl.fr

AC2M