

# SG1



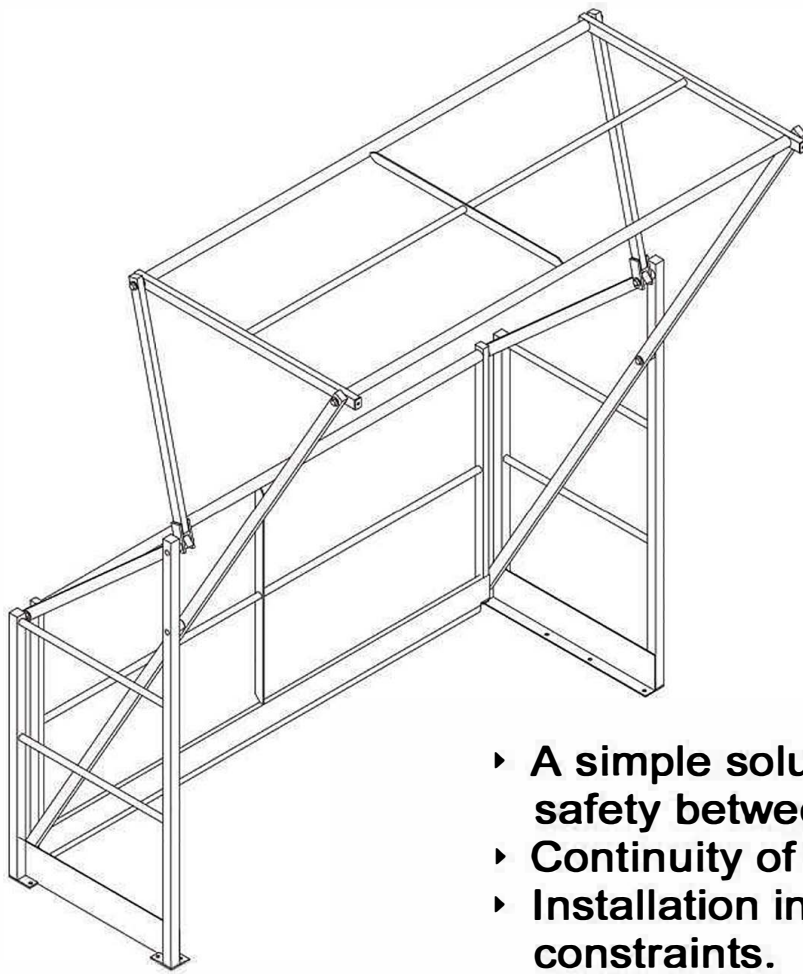
## For what kind of work situation?

- › Layouts with no particular constraints.
- › Mezzanines with sufficient clearance, free height and depth.



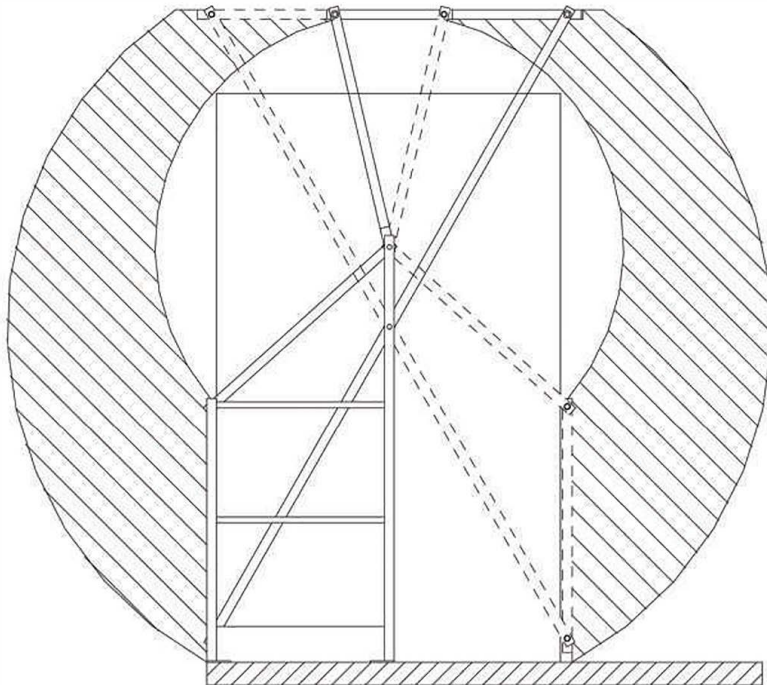
Z.A. la Métairie - Rue du Val d'Ardoux - F-45370 DRY  
www.ac2m-sarl.fr +33 (0)2 38 59 97 99 ac2m@ac2m-sarl.fr

# AC2M



# SG1

- ▶ A simple solution for guaranteeing safety between different levels.
- ▶ Continuity of the guardrail.
- ▶ Installation in areas with no particular constraints.
- ▶ Suitable for high loads.
- ▶ Standard or made-to-measure dimensions.
- ▶ Various finishes available.
- ▶ APAVE certification.



Z.A. la Métairie - Rue du Val d'Ardoux - F-45370 DRY  
www.ac2m-sarl.fr +33 (0)2 38 59 97 99 ac2m@ac2m-sarl.fr

# AC2M